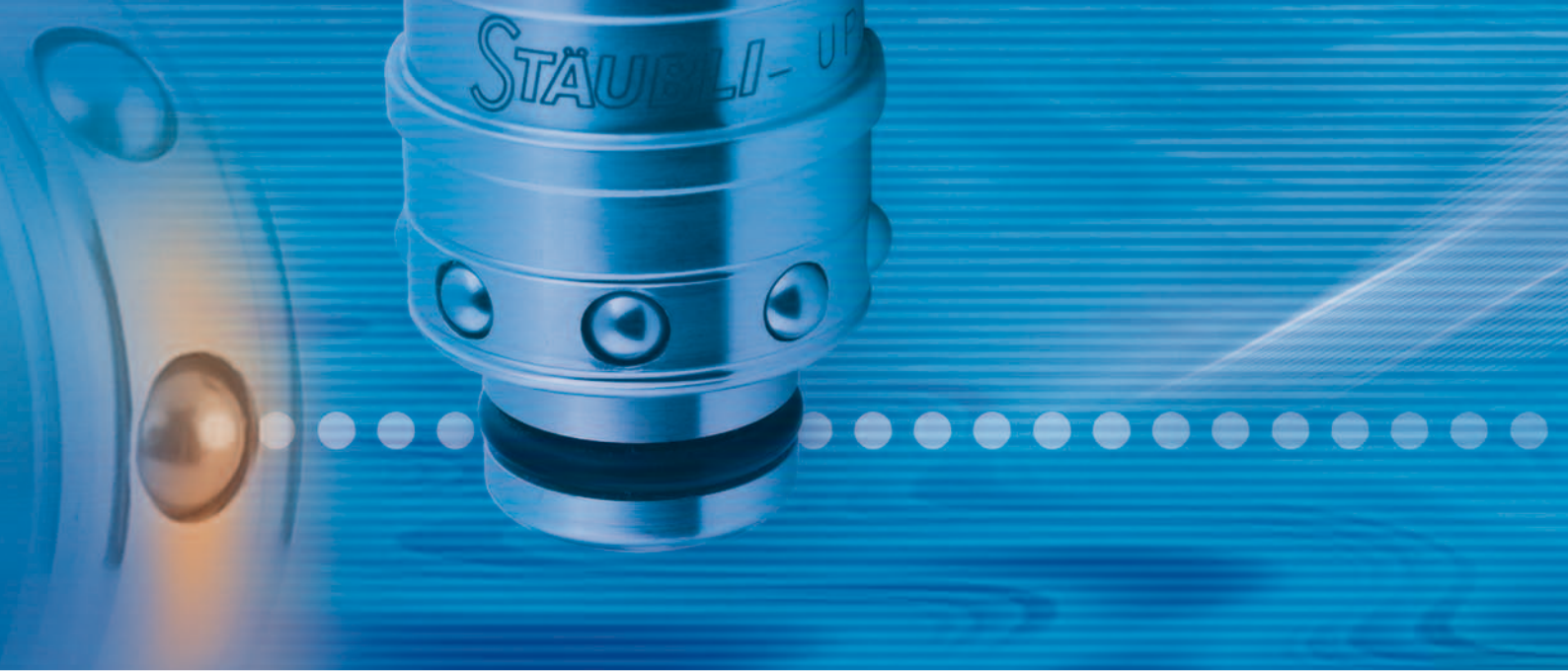


## UPA All fluids

Full flow  
All stainless steel





## High-quality, efficient...

### Applications

Quick connections for fluid circuits:

- on distribution manifolds,
- on fillers,
- in your washing plants,
- for your fluid transfers,
- etc.

### Fluids

Wide range of fluids, such as:

- air
- water
- nitrogen
- argon
- liquid and paste food products
- chemical products
- etc.



### Connections with built-in safety

2 simultaneous opposing movements (pushing of plug into the socket + pulling back on the locking ring) are required for disconnection, thus eliminating any risk of accidental disconnection.

The socket cannot be disconnected simply by pulling on the ring or hose.



### Easy cleaning

The high-quality surface finish (Ra 0.8) in the fluid stream allows for easy and efficient cleaning.

### Automatic coupling

By simply pushing the plug into the socket.



## ... and economical connections



### Simplified maintenance

The seal can be replaced quickly and easily without wasting time or affecting your productivity.

### All-stainless steel construction

The choice of materials gives UPA couplings excellent corrosion resistance.

### Simplicity of connections

- sockets with cylindrical BSP male thread that can be equipped with a KES sealing kit.



- sockets with clamp profile according to ISO 2852.



### Compliance with FDA and USP Class VI requirements

Connectors designed to satisfy the requirements of agri-foods and pharmaceutical industries:

- stainless steel materials,
- specific lubrication,
- FDA seals,
- USP Class VI seals.



## Technical characteristics

	UPA 08	UPA 12	UPA 20
<b>Max. working pressure</b> (bar)	30	30	20
<b>Bore diameter</b> (mm)	8	12	20
<b>Shut-off</b>	Full flow	↔↔↔	↔↔↔

### Tightness

Seals:

- Nitrile (NBR) as standard
- Ethylene-Propylene \* (EPDM)
- Ethylene-Propylene \* (EPDM) for FDA or USP option
- Fluorocarbon (FPM)
- Perfluoroelastomer (FFKM)

\* **Important!** It is strongly recommended not to use or bring this seal into contact with fluids of mineral origin (oil, fat etc...).

### Working temperatures

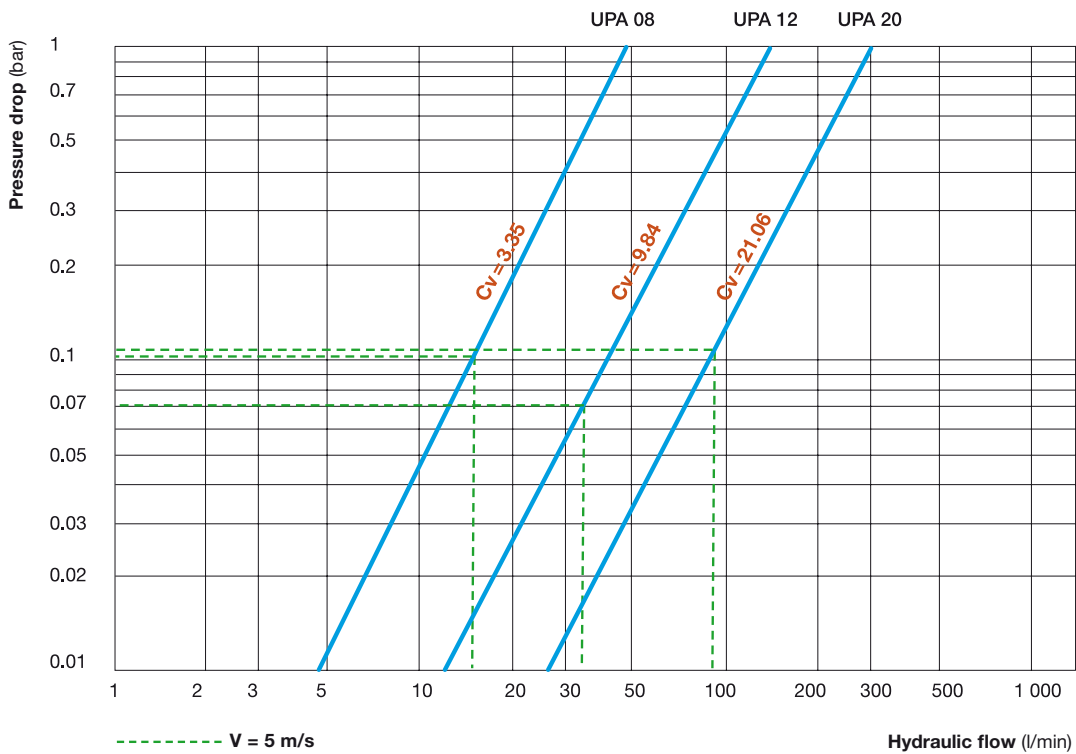
Types of seal	Seal code	Working temperatures (°C)
Nitrile (NBR)	no code	- 10 to + 90
Fluorocarbon (FPM)	JV	+ 10 to + 200
Ethylene-Propylene (EPDM)	JE	- 20 to + 150
Perfluoroelastomer (FFKM)	JK	+ 10 to + 250

### Construction

All AISI 316L stainless steel



### Hydraulic flow rate / pressure drop charts

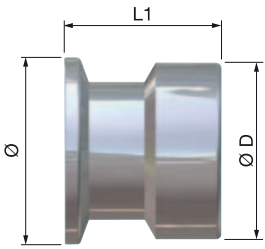
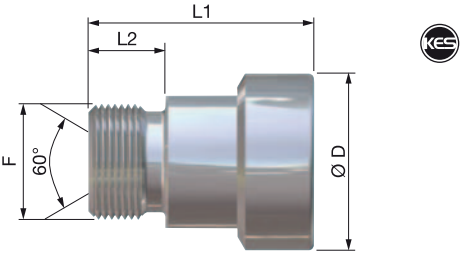


Flow (l/min) for a speed of 5 m/s		
UPB 08	UPB 12	UPB 20
15	34	94

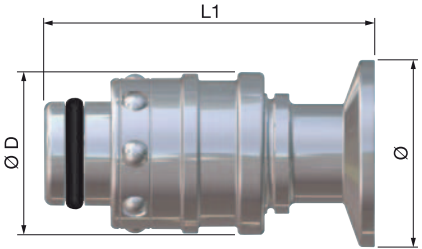
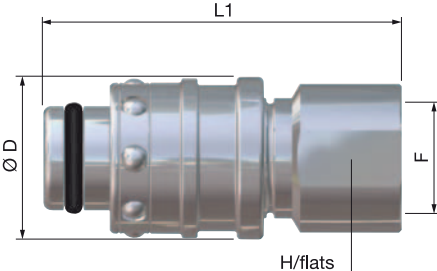
**Test conditions:**  
 - Fluid: water  
 - Direction of flow: socket → plug

# Part-numbers

## • Sockets

Designations	Models	Fittings F or Ø	Dimensions (mm)			Part-numbers
			Ø D	L1	L2	
<b>1. Socket clamp profile</b>  Clamp profile according to ISO 2852 standard	<b>UPA 08</b>	Ø 25	21	25		<b>UPA 08.1025/IC</b>
	<b>UPA 12</b>	Ø 34	32	28.5		<b>UPA 12.1034/IC</b>
	<b>UPA 20</b>	Ø 50	41	37		<b>UPA 20.1050/IC</b>
<b>2. Socket male thread</b> 	<b>UPA 08</b>	G 1/4	21	31	11	<b>UPA 08.1151/IC</b>
	<b>UPA 12</b>	G 1/2	32	41	14	<b>UPA 12.1153/IC</b>
	<b>UPA 20</b>	G 3/4	41	50	16	<b>UPA 20.1154/IC</b>

## • Plugs

Designations	Models	Fittings F or Ø	Dimensions (mm)			Part-numbers
			Ø D	L1	H/flats	
<b>1. Plug clamp profile</b>  Clamp profile according to ISO 2852 standard	<b>UPA 08</b>	Ø 25	21	45		<b>UPA 08.6025/IC</b>
	<b>UPA 12</b>	Ø 34	29.5	60		<b>UPA 12.6034/IC</b>
	<b>UPA 20</b>	Ø 50	39.5	70		<b>UPA 20.6050/IC</b>
<b>2. Plug female thread</b> 	<b>UPA 08</b>	G 1/4	21	50	17	<b>UPA 08.6101/IC</b>
	<b>UPA 12</b>	G 1/2	29.5	65	25	<b>UPA 12.6103/IC</b>
	<b>UPA 20</b>	G 3/4	39.5	70	30	<b>UPA 20.6104/IC</b>

Other fittings: consult us.

# How to build your part-numbers

## - Seals materials

All sockets and plugs are fitted with a Nitrile seal as standard.

Other seal material: add the required code at the end of the part-numbers:

- **/JE** code: Ethylene-Propylene seal
- **/JV** code: Fluorocarbon seal
- **/JK** code: Perfluoroelastomer seal

## - FDA or USP option

Sockets and plugs FDA or USP Class VI (only available with Ethylene-Propylene seal).

Add at the end of the part-numbers:

- for the sockets : the **/FDA** or **/USP** code
- for the plugs: the **/JE/FDA** or **/JE/USP** code

## KES sealing-kit (to be ordered separately)



Composed of a retaining ring and an O-ring seal, the KES kits ensure a perfect sealing between the socket and your support.

The KES rings are fitted with a Nitrile seal as standard. All seal material: add to the opposite part-numbers the code corresponding to the required seal material (see code above).

KES kit for FDA or USP option: add the **/JE/FDA** or **/JE/USP** to the opposite part-numbers.

This type of sealing is available on all the cylindrical BSP male sockets and plugs.

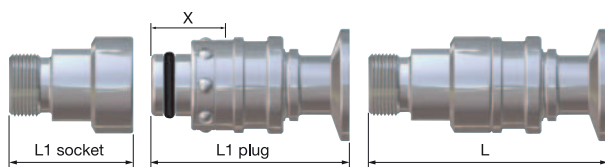
KES sealing-kit	Models	Part-numbers
	G 1/4	<b>KES01.9101/IC</b>
	G 1/2	<b>KES01.9102/IC</b>
	G 3/4	<b>KES01.9104/IC</b>

## Part-numbers of the replacement seals for plugs

Types of seal	Part-numbers		
	UPA 08	UPA 12	UPA 20
Nitrile (NBR)	<b>R 600 007 10</b>	<b>R 600 011 10</b>	<b>R 600 118 10</b>
Fluorocarbon (FPM)	<b>R 600 007 13</b>	<b>R 600 011 13</b>	<b>R 600 118 13</b>
Ethylene-Propylene (EPDM)	<b>R 600 007 18</b>	<b>R 600 011 18</b>	<b>R 600 118 18</b>
Ethylene-Propylene (EPDM) FDA or USP	<b>R 600 007 27</b>	<b>R 600 011 27</b>	<b>R 600 118 27</b>
Perfluoroelastomer (FFKM)	<b>R 600 007 33</b>	<b>R 600 011 33</b>	<b>R 600 118 33</b>

## Overall dimensions in connected position

$$L = (L1 \text{ socket} + L1 \text{ plug}) - X$$



Model	X (mm)
UPA 08	17
UPA 12	23,5
UPA 20	24,5

We reserve the right to modify product specification without prior notice.

**Brazil**

Tel.: +55 11 2348 7400  
connectors.br@staubli.com

**North America**

(USA, Canada, Mexico)  
Tel.: +1 864/433-1980  
connectors.usa@staubli.com

**Belgium**

Tel.: +32 (0)56 36 40 03  
connectors.be@staubli.com

**Czech Republic,  
Slovakia, Hungary**

Tel.: +420 466 616 125  
connectors.cz@staubli.com

**France**

Tel.: +33 (0)1 69 93 25 00  
srf@staubli.com

**Germany, Austria**

Tel.: +49 (0)921/883-80  
connectors.de@staubli.com

**India**

Tel.: +91 22 282 39 343 - 345  
connectors.in@staubli.com

**Italy**

Tel.: +39 (0)362/944.1  
connectors.it@staubli.com

**Poland**

Tel.: +48 42 636 85 04  
connectors.pl@staubli.com

**Portugal**

Tel.: +351 22 978 39 56/50  
connectors.pt@staubli.com

**Romania**

Tel.: +40374040494  
connectors.ro@staubli.com

**Russia**

Tel.: + 7 812 3344630  
connectors.ru@staubli.com

**Spain**

Tel.: +34 937 205 405  
connectors.es@staubli.com

**Switzerland**

Tel.: +41 (0)43/244 22 33  
connectors.ch@staubli.com

**United Kingdom**

Tel.: +44 (0)1952 671 918  
connectors.uk@staubli.com

**China**

Tel.: +86 571 86912161  
connectors.cn@staubli.com

**Hong Kong**

Tel.: +852-2366 0660  
connectors.hk@staubli.com

**Japan**

Tel.: +81 6 6889 3308  
connectors.stkk@staubli.com

**Singapore**

Tel.: +65 / 6266 0900  
connectors.sg@staubli.com

**South Korea**

Tel.: +82 53 753 0044  
connectors.kr@staubli.com

**Taiwan**

Tel.: +886-2-2568 2744  
connectors.tw@staubli.com

**Turkey**

Tel.: +90 212/472 13 00  
connectors.tr@staubli.com

[www.staubli.com](http://www.staubli.com)



■ Staubli units  
○ Connectors distributors

**International sales coordination**

Stäubli Faverges - CS 30070 - F - 74210 Faverges  
Tel.: +33 (0)4 50 65 67 97 - Fax: +33 (0)4 50 65 60 69  
Email: [connectors.sales@staubli.com](mailto:connectors.sales@staubli.com)

Stäubli is a trademark of Stäubli International AG, registered in Switzerland and other countries.

© Stäubli, 19/02/2013

C 165.00 e A

Printed on PEFC paper